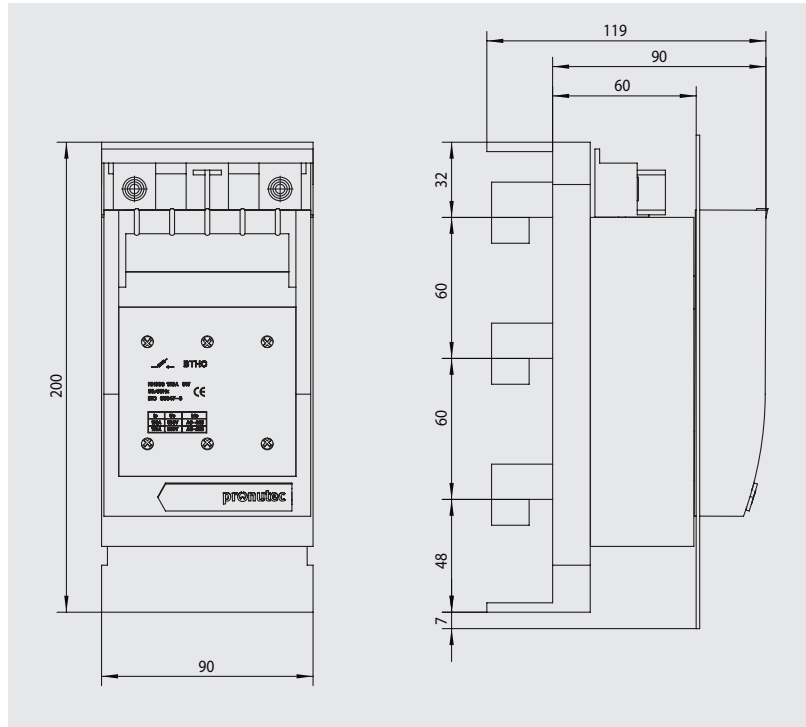


**Bases tripolares horizontales cerradas (BTHC)**  
**3 Pole horizontal design fuse switch disconnectors (BTHC)**

▶ Planos / Dimensions

**Montaje embarrado / Busbar mounting**



**Montaje panel / Panel mounting**

