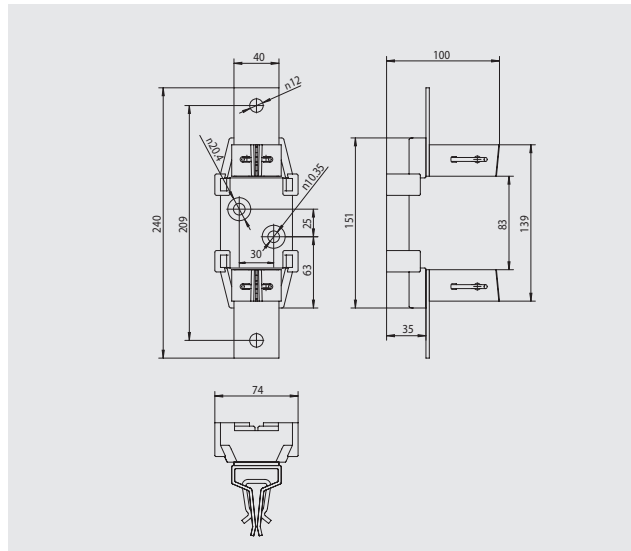


Planos / Dimensions

Unipolar NH 3 / 1-pole NH 3



Tripolar NH 3 / 3-pole NH 3

