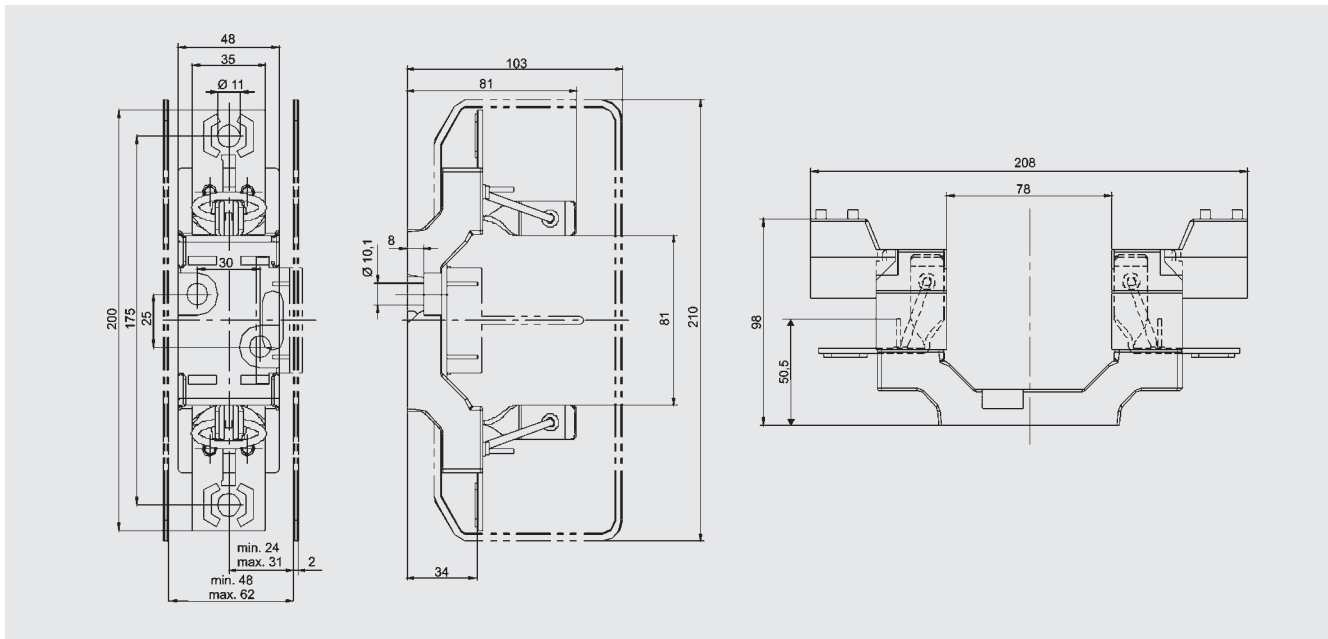
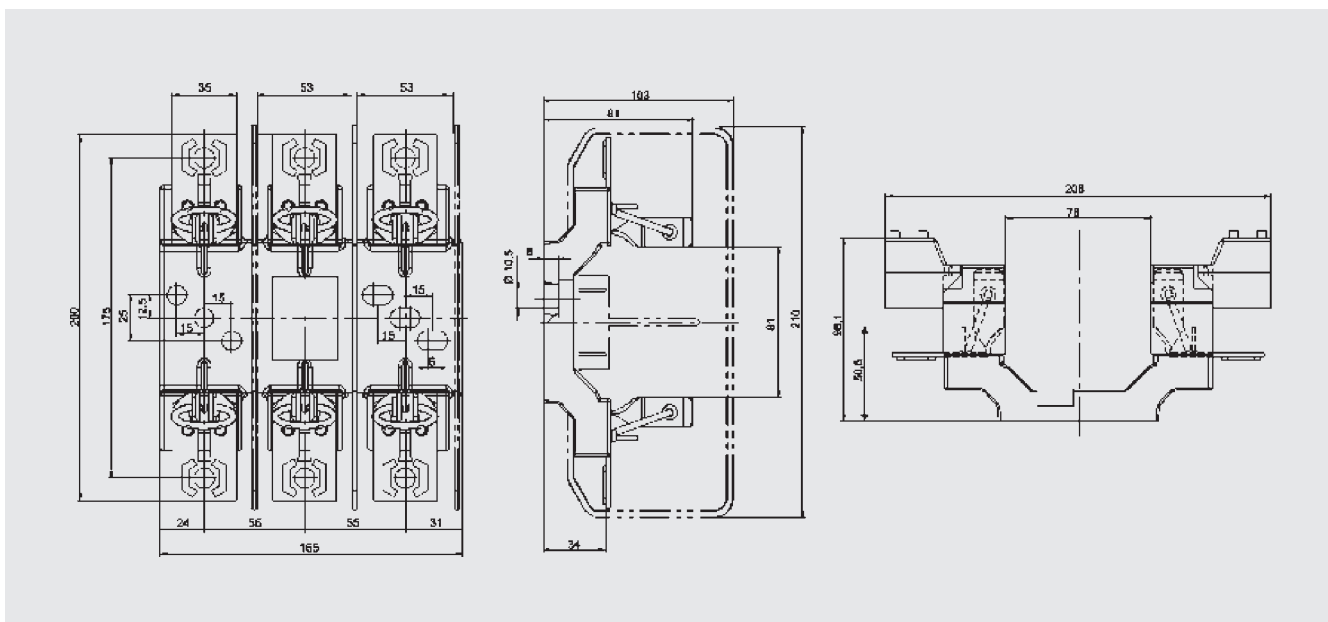


Planos / Dimensions

Unipolar / 1-pole

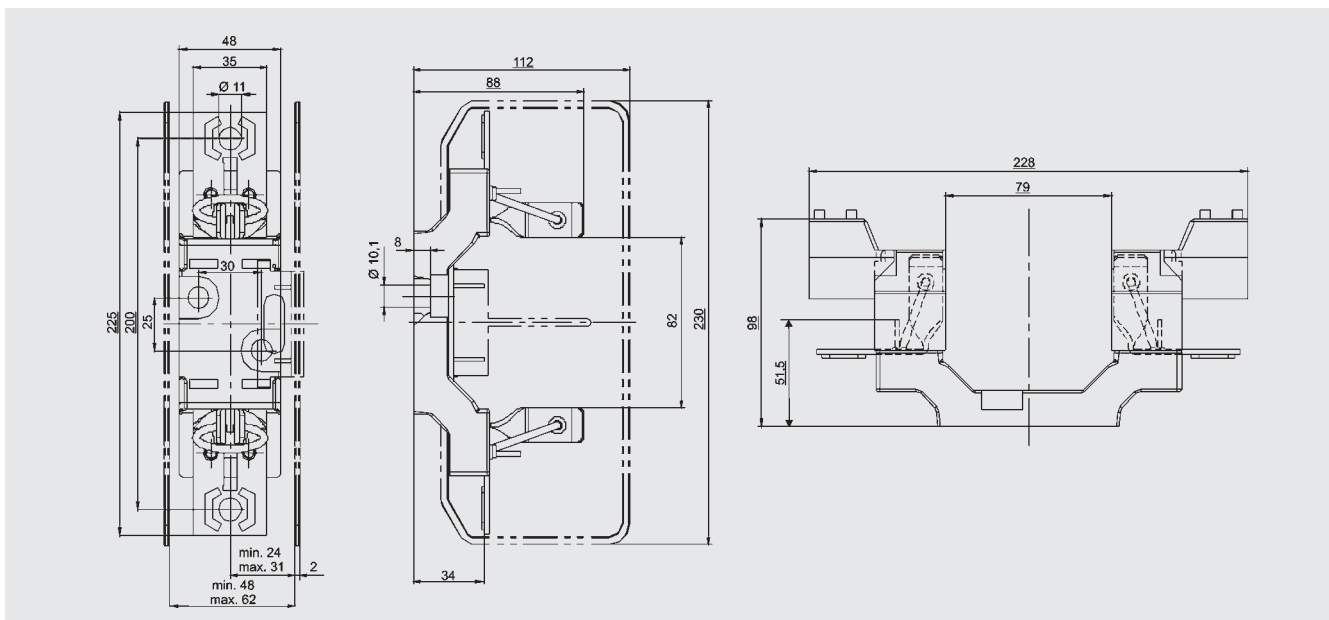


Tripolar / 3-pole



Planos / Dimensions

Unipolar / 1-pole



Tripolar / 3-pole

