



434 Tipo / Type

NH 1/2/1XL/2XL/3L/2XL-3L

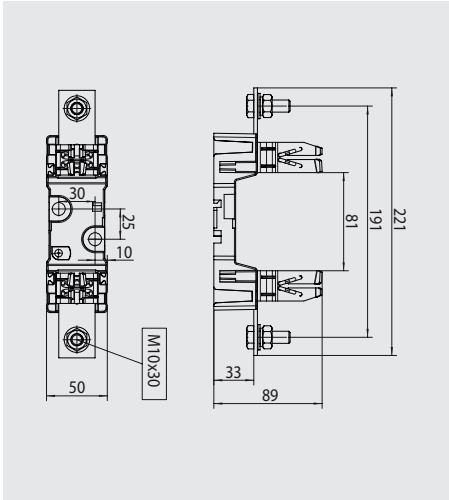
A 160|200|250|400|450|630

Bases unipolares abiertas para DC
1 Pole DC fuse bases

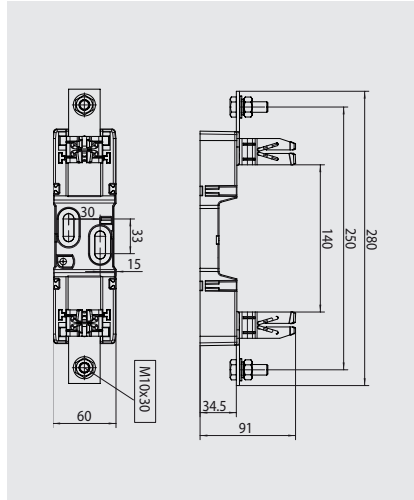
8

Planos / Dimensions

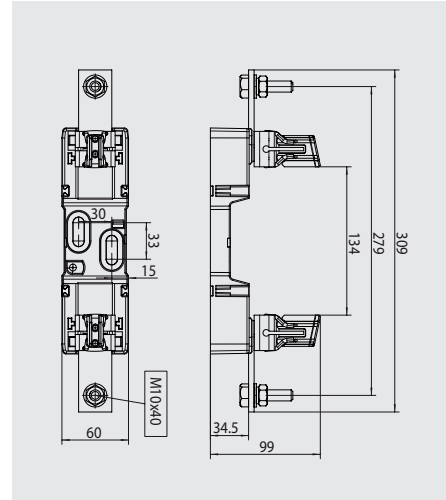
NH 1/2



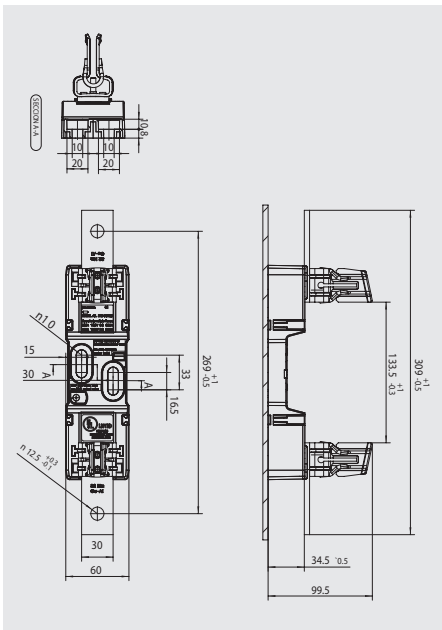
NH 1XL/2XL



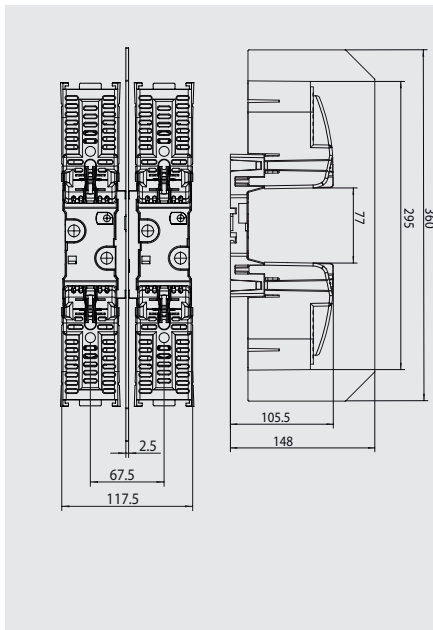
NH 3L



NH 2XL/3L



NH 1/2 (protegida / protected)



NH 1XL/2XL/3L (protegida / protected)

